

What Noise Barrier Installation Involves

Step 1

Design Phase and Pre-conditional survey of the existing viaduct

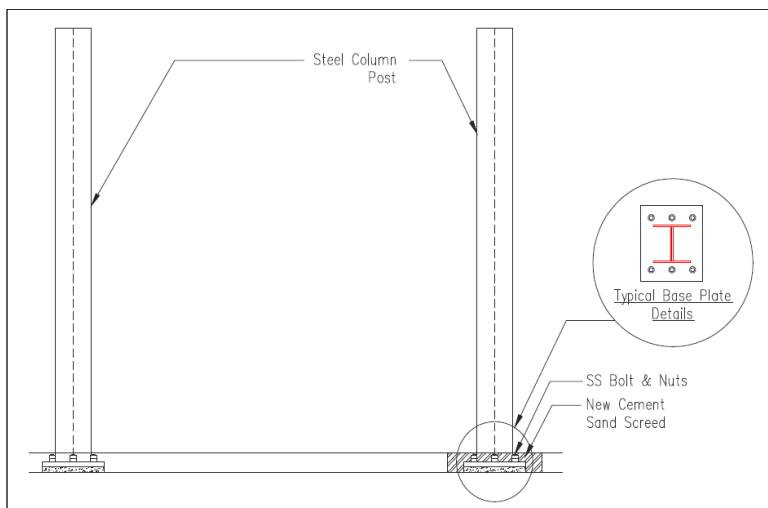
Step 2

Drilling and fixing of bolts



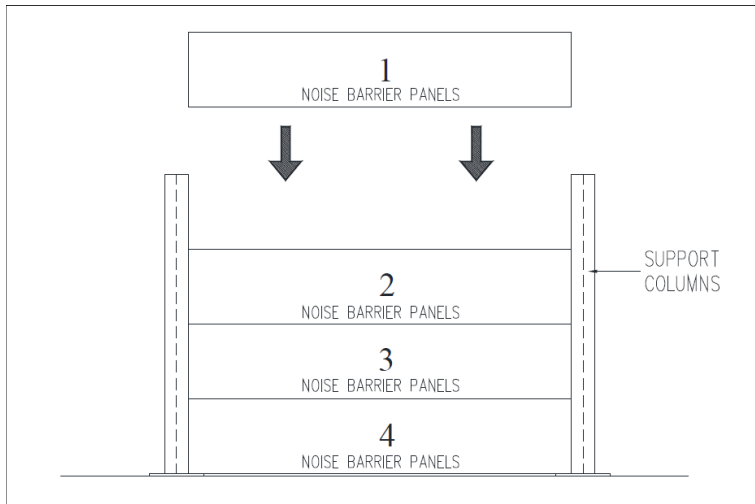
Step 3

Installing the Steel Column Posts at 3m interval





Step 4

Slotting the noise barrier panels between Support Columns



During trials, barriers were installed in Bishan, Tampines, Jurong East and Toh Guan Road. They cut noise levels by between five and ten decibels.

Location	Photo
Tampines (view from Block 269)	 A photograph showing a residential area in Tampines. In the foreground, there is a road with a concrete noise barrier. Behind the barrier, there are several large, mature trees. In the background, there are several multi-story apartment blocks with colorful facades (red, white, and yellow).
Jurong East (view from Block 110)	 A photograph showing a residential area in Jurong East. In the foreground, there is a road with a concrete noise barrier. Behind the barrier, there are several large, mature trees. In the background, there are several multi-story apartment blocks with colorful facades (red, white, and yellow).