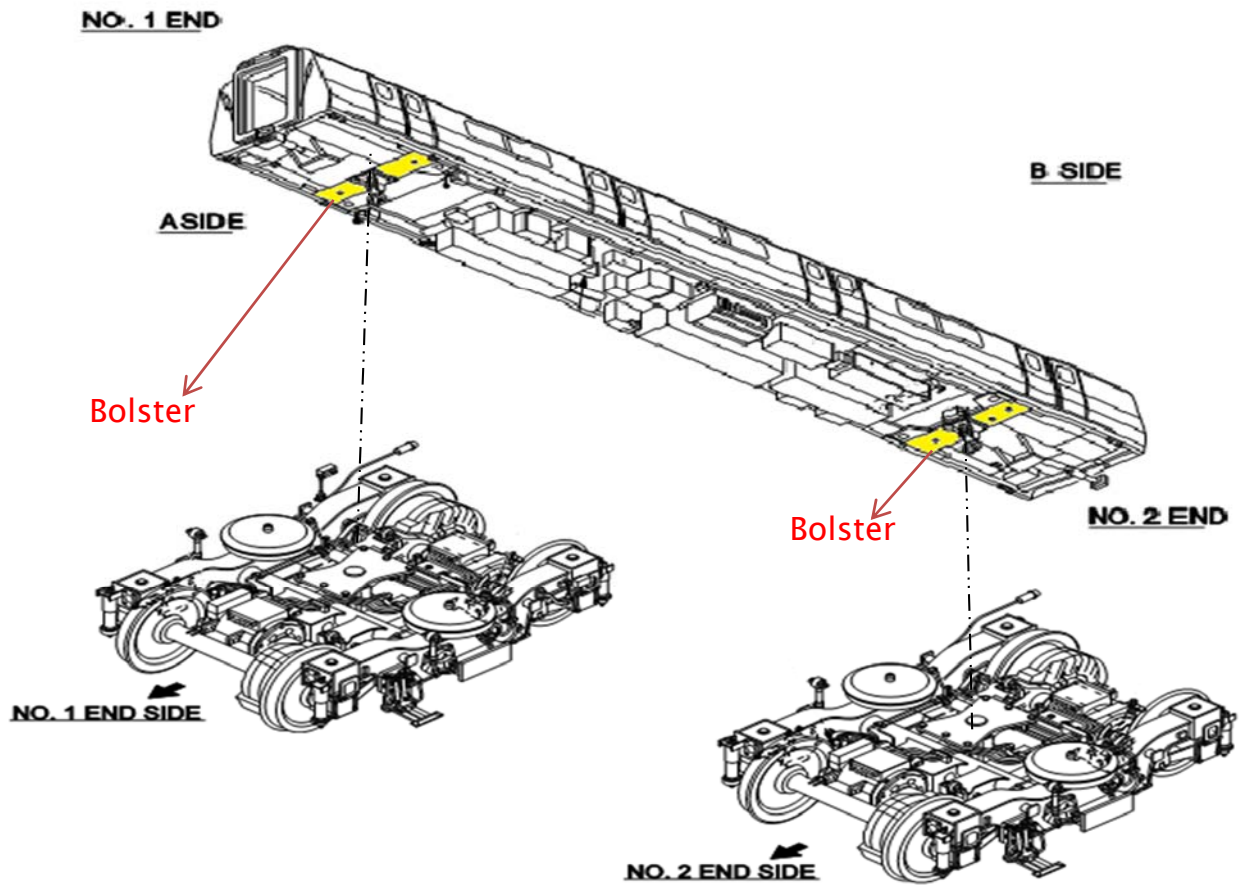


Appendix 1: Bolster Location



**Appendix 2: Example of Hairline Cracks**



**Hairline crack on train bolster – 142mm in length**